

## TECHNICAL SPECIFICATION

### LED Downlights GL204LED



#### Technical data

- Power: 2x10W; 2x15W
- Colour temperature: 4000K; 2700K • Rated voltage: 230V / 50/60Hz
- Lumens /whole fixture/:
- ▪ 2x10W – 1600lm
- ▪ 2x15W – 2400lm
- Light source: LED lamp PLC
- Lampholder: G24d
- Material: sheet steel with aluminum ring
- Body colour: white, satin nickel
- Diffuser: glass with matt square in the middle
- Reflector: aluminum mirror
- Installation: recessed mounting for indoor use
- Protection against dust and moisture: IP20
- Long life: 30 000 hours
- Beam angle: 120°
- Protection against electric shock: I
- Surface requirements: Class F

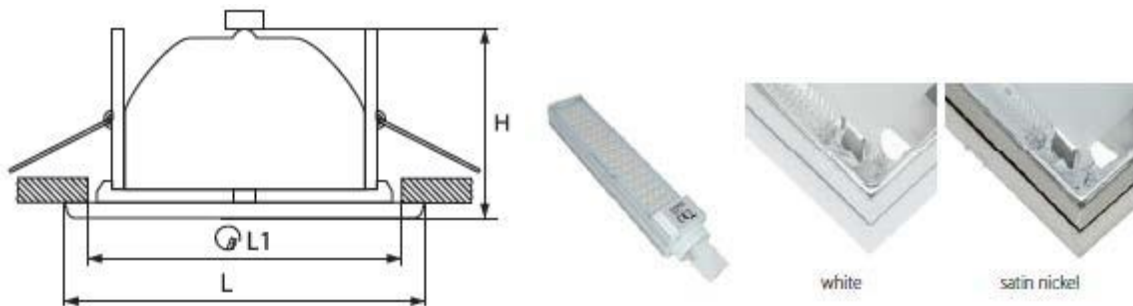
## Areas of application

- Modern Residential Buildings
- Commercial buildings
- Offices
- Hotels
- Recreation facilities

## Product benefits

- Lightweight body
- Simple appearance
- Easy installation

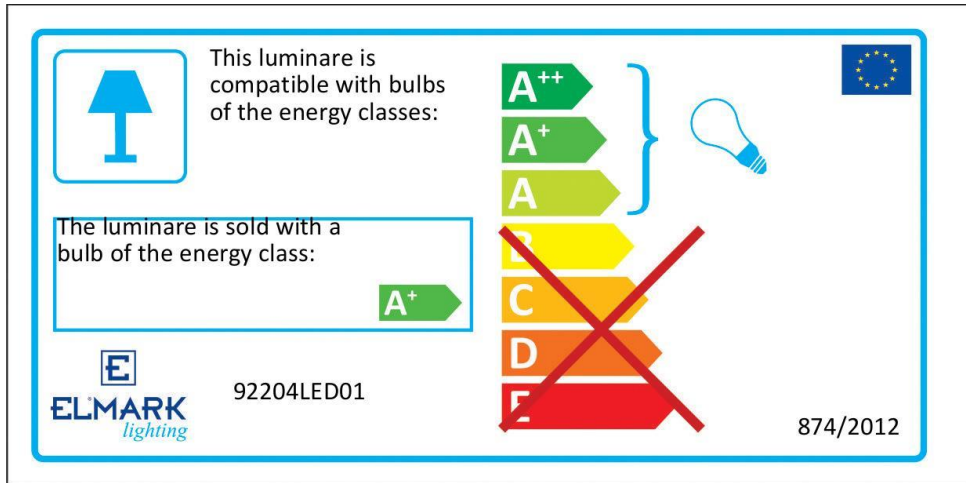
## Variants and dimensions



Watt	Whole fixture lumens (lm)	Colour temp. (K)	Colour body	Size			Catalogue number	Packing (pcs)
				L=W	H	L1=W1		
2x10W	1600	4000	white	230	110	210	92204LED01	1
2x10W	1600	2700	white	230	110	210	92204LED03	1
2x10W	1600	4000	satin nickel	230	110	210	92204LED02	1
2x10W	1600	2700	satin nickel	230	110	210	92204LED04	1
2x15W	2400	4000	white	230	110	210	92204LED05	1
2x15W	2400	2700	white	230	110	210	92204LED07	1
2x15W	2400	4000	satin nickel	230	110	210	92204LED06	1

2X15W	2400	2700	satın nickel	230	110	210	92204LED08	1
-------	------	------	--------------	-----	-----	-----	------------	---

## Energy efficiency



## Barcodes

Barcode	Catalogue number
3800131190154	92204LED01
3800131190161	92204LED02
3800131190178	92204LED03
3800131190185	92204LED04
3800131190192	92204LED05
3800131190208	92204LED06
3800131190215	92204LED07
3800131190222	92204LED08

## Standards

EN 55015

EN 61000-3-2; EN 61000-3-3

EN 61547

EN 60598-1; EN 60598-2-2

